

**OPERATOR'S
SPARE PARTS &
SERVICE MANUAL**



®

**SLAB SPLITTER
MODEL H65-4**



FAIRPORT

CONSTRUCTION EQUIPMENT LTD

Blagden Street

Sheffield

S2 5QS

England

Tel: +44 (0) 114 276 7921

Fax: +44 (0) 114 272 0965

Email: sales@fairport.uk.com

Website: www.fairport.uk.com

DESCRIPTION

The model H654 slab cutter is designed to cut materials such as paving slabs, paving blocks and building blocks etc with parallel faces. The maximum depth of slab that may be cut is 235mm, the minimum is 45mm and the maximum width is 640. The machine is fitted with triangular blades that give each blade three cutting edges. This model differs from our previous machine in that the frame is now stiffer as it is fully welded complete with the lower blade carrier beam.

SAFETY

Ensure cutters are standing on a firm level surface.

Wear eye protection, gloves and safety footwear.

Do not allow hands or feet to be between the blades when carrying out any blade adjustments.

Disconnect handle when not in use.

When moving the machine ensure there is no material on the table which will slide off when the machine is tilted.

Never use an extension bar on the jacking handle.

CAUTION

Avoid warped or 'green' blocks and slabs. These will break prematurely and not where required. All slabs must have flat parallel faces; riven slabs are unsuitable for splitting.

Check sharpness of blades regularly.

Do not attempt to cut material of a size outside the range of the cutter.

Please note that soft material will break without any audible noise and the pieces may not fall apart. The impression may be that the material has not broken and there may be the temptation to continue pumping. This could cause the top and bottom blades to become buried and may ultimately damage the machine beyond repair. Damage caused in this way will invalidate the warranty. Special top blades, part number W53032, are available for splitting this type of material.

It is not possible to be specific with regard to the types of materials that are suitable for splitting and that are unsuitable. Generally a material that splits quickly, easily and cleanly with a sharp crack-like noise is suitable; a material that splits irregularly and requires a high level of effort is unsuitable. Damage caused by continued attempts to split unsuitable material is not covered by warranty.

ADJUSTMENTS

With the jack (3) fully raised, lower the upper blade to its lowest height above the block to be cut. When adjusting the blade height always hold the handles of the upper blade beam (17) when removing the pins (12) that support the power forks (13).

In order to obtain a clean cut (break) it is essential that the upper blade (16) is parallel to the surface of the material to be cut. To ensure this, place the material to be cut across the lower blade, operate the jack (3) so that the top blade just contacts the material. If the top blade is only in contact at one end of the material, slacken the hand screw (27) and continue to operate the jack to create a slight pressure. This will automatically adjust the top blade so that it is parallel to the material surface. Check that the blade contacts all the way along and then retighten the hand screw.

OPERATION

Check the blade adjustment as above.

Place the material between the blades so that the cutting action is in the centre of the blades and not towards one end.

Check the pressure release screw is tight; this is the wing screw on the side of the jack (3).

Insert the jack handle into the jacking lever and pump the blade down to cut the material.

The material will usually break with a sharp audible crack, but see 'CAUTION' note above.

Release the blade by loosening the pressure release screw (wing screw) at the side of the jack. Retighten screw when jack has retracted to desired height.

Clear all debris from around blades after each cut.

CHANGING CUTTER BLADES

If the cutter blades (16) are worn then they will need turning or replacing. Use a long bar as a drift and knock each blade out from one end. Turn each blade so that an unused edge is at the cutting position and knock back into position. If all cutting edges are worn and the blade is to be discarded the new blade may be used as a drift and remain in position after knocking out the worn blade.

JACK SERVICING INSTRUCTIONS

(See jack parts list for item references)

Dismantling

Loosen the plug (10) and allow oil to drain out.

Fasten the base of the jack (17) in a vice.

Loosen the head nut (2) by screwing it counter clockwise. The tank tube (11) is now loose.

Pull out the lifting piston (4) from the cylinder tube (9).

Remove split pins (24) and loosen the pins (25).

Detach the pump beam (23) and link (26) from the pump piston (28) and base (17).

Pull up the pump piston (28).

Loosen the pump cylinder (31) by screwing it counter clockwise.

Loosen the cylinder tube (9) by screwing it counter clockwise. Take care not to distort the cylinder tube.

Screw out the release screw (19) by screwing it counter clockwise.

Turn the base (17) up side down so that the washer (15), ball (16) and valve seat (34) can be removed.

The jack is now dismantled. The safety valve (36) is set by the manufacturer and must not be tampered with.

Reassembly

Clean all parts carefully.

Oil all threads, pins and seal contact surfaces.

Fit all seals in their correct positions.

Fasten the base (17) in a vice.

Assemble the release screw (19) by screwing clockwise.

Place the ball (16) into its seat. Form the seat by placing a soft mandrel on the ball and giving it a light tap with a hammer.

Assemble washer (15), filter (20) and valve seat (34) into the base.

Screw the cylinder tube (9) into the base by screwing it clockwise (550Nm torque). Take care not to distort the cylinder tube.

Assemble the pump cylinder (31) into the base by screwing it clockwise (100Nm).

Press the pump piston (28) carefully down into the pump cylinder (31).

Assemble the pump beam (23) and link (26) into the pump piston (28) and base (17) with pins (25) and secure with split pins.

Assemble the seal (13), support ring (12) and tank tube (11) onto the base.

Press the lifting piston (4) carefully down into the cylinder tube (9).

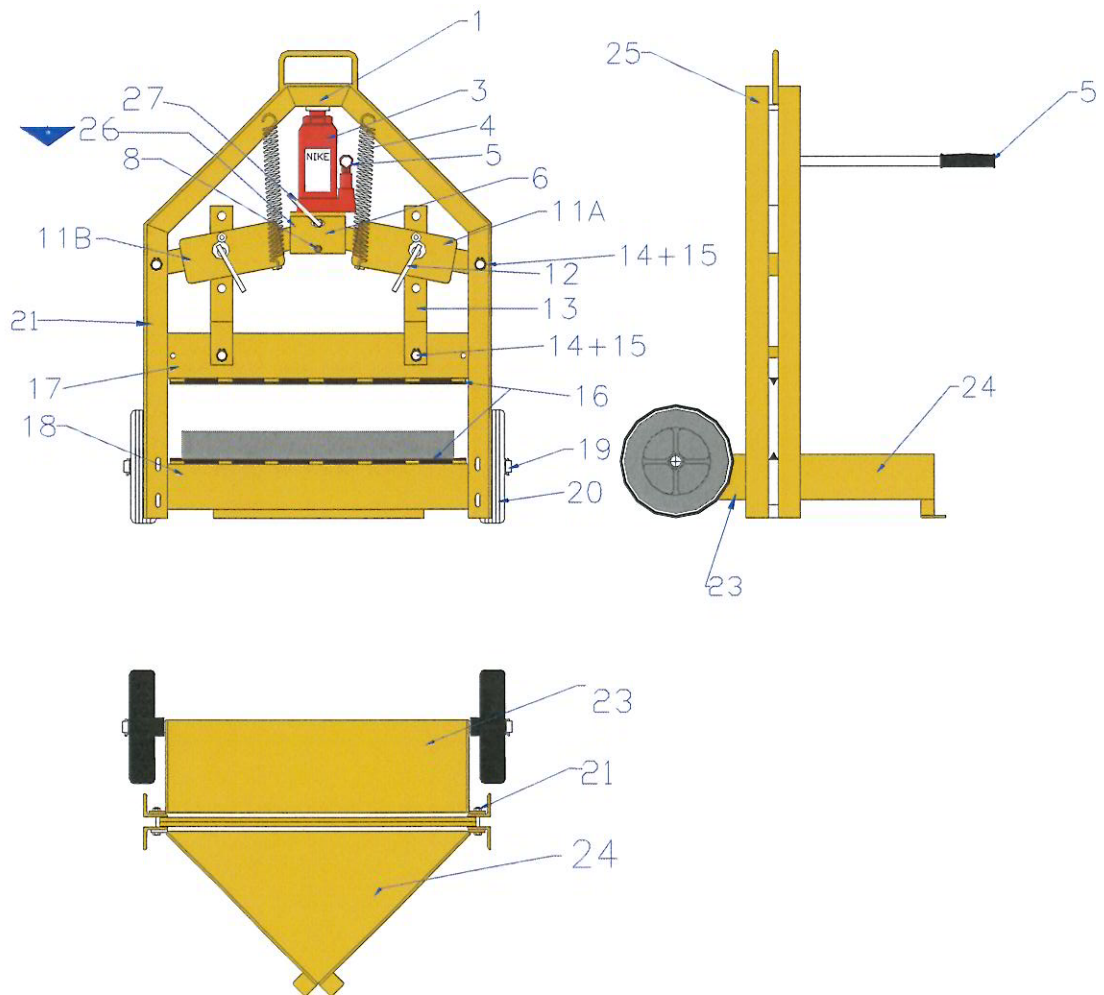
Fasten the head nut (2) c/w seal (3) by screwing it clockwise (220Nm torque).

Fill with oil up to the lower edge of the oil filling hole, with the jack upright, and refit plug (10). Use grade 32 hydraulic oil.

Air bleeding of the jack is achieved by pumping up the jack once to the uppermost position without load.

PARTS LIST

Item	Part No	Description
1	W437/8/25	M8 hex set screw x 25
	W480/8	M8 Nyloc nut
3*	WP654-3	Jack
4	WP654-4	Spring
5	WP654-5	Jack handle
6	WP654-6	Power shoe
8	W435/8/50	M8 hex bolt x 50
	W480/8	M8 Nyloc nut
11A	WP654-11A	Power arm right
11B	WP654-11B	Power arm left
12	WP654-12	Pin
13	WP654-13	Power fork
14	WP654-14	Pin
15	W81301	Circlip
16	W83501	Blade
17	WP654-17	Blade beam upper
19	W516/5/50	Split pin
20	WP654-20	Wheel
21	W435/8/70	M8 hex bolt x 70
	W480/8	M8 Nyloc nut
23	WP654-23	Wheel section
24	WP654-24	Table section
25	WP654-25	Frame c/w blade beam lower
26	WP654-26	Power transfer (fits inside power shoe)
27	WP654-27	Handle screw
	W80567	Seal kit for H100 jack

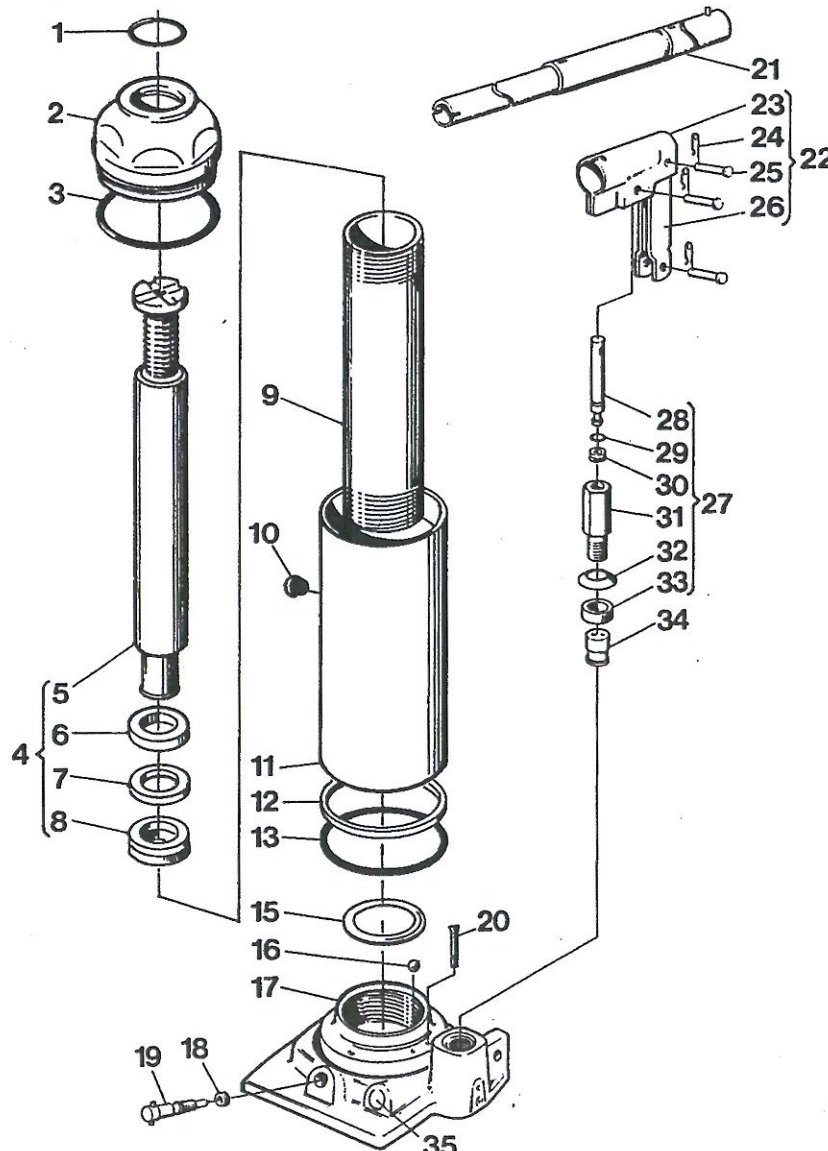


*

JACK PARTS LIST

Item	Part No	Description
2	NK-35448	Head nut
4	NK-35449	Lifting piston comp.
9	NK-35450	Cylinder tube
11	NK-35451	Tank tube
17	NK-35452	Base
	W80567	Seal kit comprising items 1, 3, 7, 8, 10, 12, 13, 15, 16, 18, 19, 20, 29, 30, 32, 33,
21	NK-35428	Handle comp.
22	NK-35429	Pump beam comp.
27	NK-35430	Pump unit
34	NK-35409	Valve seat

NIKE
hydraulics



WARRANTY CONDITIONS AND CLAIMS PROCEDURE

All products supplied by Fairport Construction Equipment Ltd (hereafter referred to as FCE) are warranted to be free of defects due to faulty materials or workmanship for a period of 12 months from the date of original despatch from FCE or as specified below:

Hydraulic hoses and hydraulic couplings – 3 months.

Hydraulic accumulators – 6 months.

Flexible drives – 6 months.

All spare parts used in repairs carried out by FCE or an authorised dealer or repairer – 3 months.

If the goods have been purchased through a stockist the above warranty periods also apply from receipt of the goods by the user of the equipment up to a total of a further 6 months from date of despatch from FCE whichever is earlier.

Filter elements, gauges and oils are specifically excluded from this warranty.

FCE shall at their option repair or replace during normal working hour's goods accepted as faulty free of charge to the user.

For proprietary items such as engines, the original manufacturer's warranty and conditions shall apply.

CONDITIONS

The goods shall be returned at the purchaser's expense to FCE or to a destination FCE may reasonably direct. Carriage costs will be refunded if warranty is accepted.

Warranty claims will not be considered where there is evidence that failure has been caused by carelessness, improper use, negligence, inadequate servicing, incorrect engine speeds, fair wear and tear or non-compliance with instructions issued by the manufacturer.

To the extent permitted by law, the liability of FCE under this section is confined only to providing a remedy for defective goods and does not extend to any consequential loss, loss of profit, injury or damage suffered.

Warranty will not be accepted on dismantled goods unless dismantling was carried out with the written permission of FCE.

No claim shall be considered if other than genuine parts supplied by FCE have been used.

Products are only covered by this warranty in the country to where they were supplied by FCE.

Warranty on products applies only to the original user of the equipment.

This warranty shall not apply if the serial number or other identifying numbers or marks applied by FCE have been removed, defaced or are otherwise illegible.

CLAIMS PROCEDURE

Check that the goods are still under warranty before returning them to FCE (see above for warranty periods).

Return the goods to FCE with an order number for the work to proceed. If warranty is accepted no charge will be made. If warranty is not accepted a quotation will be given for the repair and the conditions under the section headed REPAIRS AND ESTIMATES will apply.

In the customer's interest, goods must be accompanied by documentation detailing the nature of the fault or its symptoms. Phrases such as 'Faulty' are unacceptable and will result in delays and possible charges to defray costs incurred in identifying the fault.

In the case of hydraulic breakers and power packs, both the breaker and the pack should be returned

REPAIRS AND ESTIMATES

When returning a machine, or an assembly for repair, always include an Advice Note quoting model and serial number of the machine.

An official order must also be forwarded to FCE giving detailed instructions. No repair work can be carried out unless covered by an official order.

An estimate will be submitted before proceeding with any repair. To partly cover the cost in dismantling, cleaning and inspection, a small charge will be made; this however will be waived upon receipt of your official instructions to proceed with the repair.

In the event of the estimate not being accepted, a further charge will be made to defray the rebuilding of the machine.

Estimates must be treated as approximate only as it may be found necessary to use additional parts on further examination.